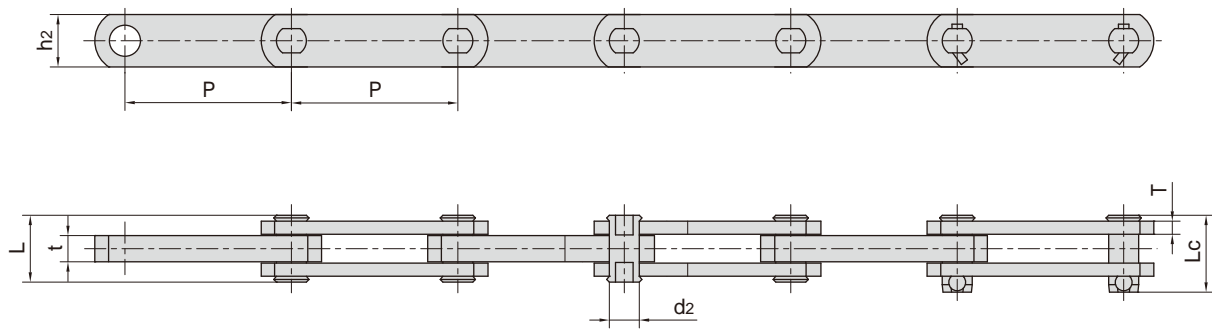


块式链

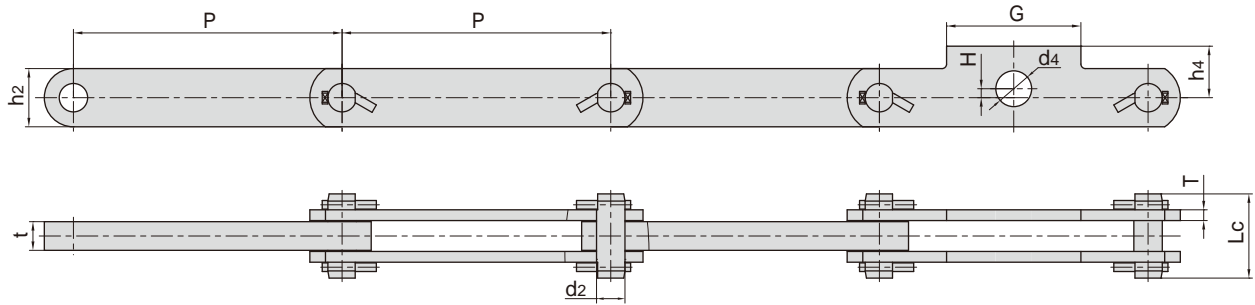
Block chains



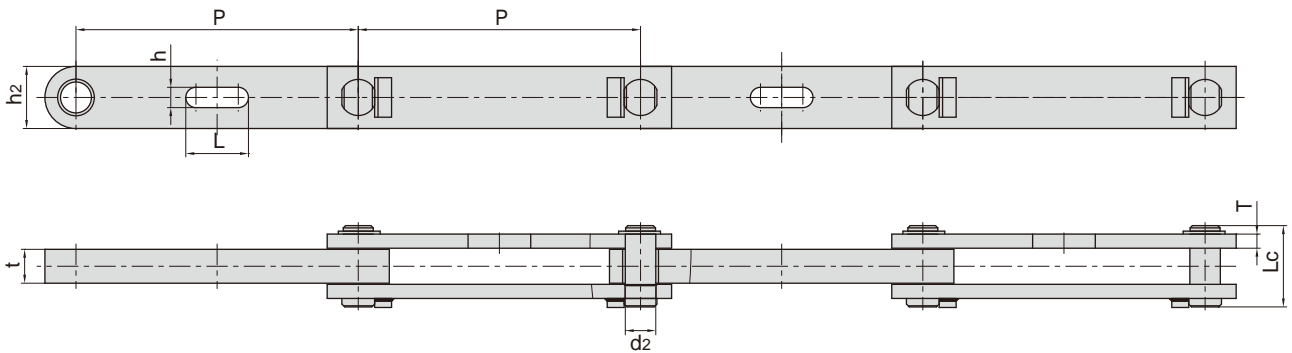
东华链号 Donghua Chain No.	节距 Pitch	销轴直径 Pin diameter	销轴长度 Pin length		链板高度 Plate depth	链板厚度 Plate thickness	抗拉强度 Tensile strength	平均抗拉强度 Average tensile strength	每米长重 Weight per meter
	P mm	d2 max mm	L max mm	Lc max mm	h2 max mm	t/T max mm	Q min kN/lbf	Q0 kN	q kg/m
BC41.3	41.3	7.94	29.4	-	15.9	15.9/6.4	45.0/10116	50.0	2.30
P100F113	100.0	12.00	30.5	36.0	30.0	12.0/6.0	100.0/22480	110.0	3.59
P127F4	127.0	22.86	51.5	-	40.0	20.0/10.0	170.0/38217	187.0	11.60
BC127F1	127.0	20.00	50.0	57.5	40.0	20.0/10.0	280.0/62946	308.0	7.90
BC127F3	127.0	22.00	47.5	76.0	40.0	20.0/9.5	240.0/53954	276.0	8.04
BC127F4	127.0	32.00	71.0	-	65.0	35.0/12.0	550.0/123645	632.5	22.83
BC150	150.0	32.00	78.0	86.0	65.0	32.0/16.0	637.0/143203	700.0	21.10
BC200F1	200.0	22.12	60.0	-	44.5	30.0/9.5	276.4/62137	304.0	10.23
BC200F2	200.0	26.45	66.0	-	55.0	28.0/12.7	534.9/120250	588.0	14.10
BC200F3	200.0	22.12	60.0	-	50.8	30.0/9.5	401.2/90193	441.0	11.80
BC200F6	200.0	25.40	62.5	-	50.8	24.8/12.7	356.0/80032	409.4	13.50
BC250F1	250.0	26.45	72.0	-	55.0	32.0/12.7	534.9/120250	588.0	14.60
BC250F2	250.0	26.45	72.0	-	50.8	32.0/12.7	454.0/102063	490.0	13.40
BC300F1	300.0	26.50	65.0	-	57.0	30.0/12.7	735.0/165234	808.0	14.40

块式链

Block chains



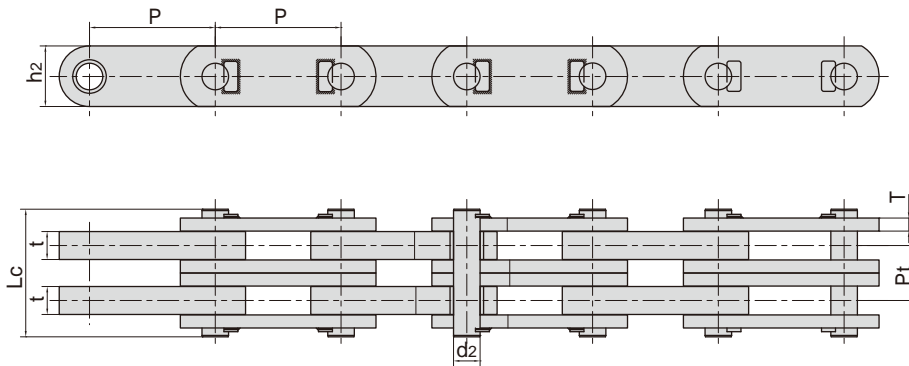
东华链号 Donghua Chain No.	节距 Pitch	销轴直径 Pin diameter	销轴长度 Pin length	内链板高度 Inner plate depth	链板厚度 Plate thickness	附板尺寸 Attachment dimension				抗拉强度 Tensile strength	每米长重 Weight per meter
	P	d2 max	Lc max	h2 max	t/T max	G	H	h4	d4	Q min	q
	mm	mm	mm	mm	mm	mm	mm	mm	mm	kN/lbf	kg/m
BC300F2	300.0	31.75	94.0	65.0	32.0/12.0	150.0	10.0	57.5	40.0	699.0/157141	18.20



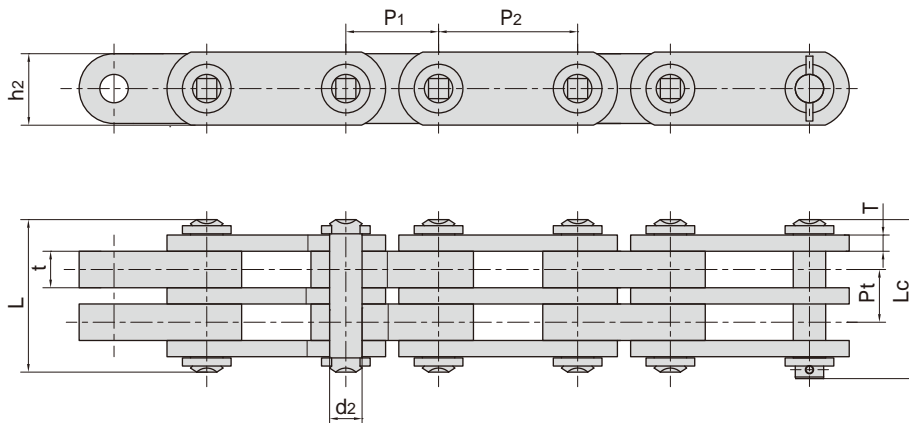
东华链号 Donghua Chain No.	节距 Pitch	销轴直径 Pin diameter	销轴长度 Pin length	内链板高度 Inner plate depth	链板厚度 Plate thickness	附板尺寸 Attachment dimension		抗拉强度 Tensile strength	每米长重 Weight per meter
	P	d2 max	Lc max	h2 max	t/T max	h	L	Q min	q
	mm	mm	mm	mm	mm	mm	mm	kN/lbf	kg/m
BC500F2	500.0	54.00	144.0	110.0	60.0/25.0	110.0	35.0	2160.0/485587	55.90

块式链

Block chains



东华链号 Donghua Chain No.	节距	销轴直径	销轴长度	内链板高度	链板厚度	排距	抗拉强度	每米长重
	Pitch	Pin diameter	Pin length	Inner plate depth	Plate thickness	Transverse pitch	Tensile strength	Weight per meter
	P	d2 max	Lc max	h2 max	t/T max	Pt	Q min	q
	mm	mm	mm	mm	mm	mm	kN/lbf	kg/m
BC270F1-2	270.0	57.00	274.0	130.0	60.0/28.0	118.0	6000.0/1348854	171.00



东华链号 Donghua Chain No.	节距		销轴直径	销轴长度		内链板高度	链板厚度	排距	抗拉强度	每米长重
	Pitch		Pin diameter	Pin length		Inner plate depth	Plate thickness	Transverse pitch	Tensile strength	Weight per meter
	P1	P2	d2 max	L max	Lc max	h2 max	t/T max	Pt	Q min	q
	mm	mm	mm	mm	mm	mm	mm	mm	kN/lbf	kg/m
BC171.45F1-114.3-2	114.3	171.45	40.0	188.0	196.0	90.0	45.0/20.0	65.0	2000.0/45000	79.80